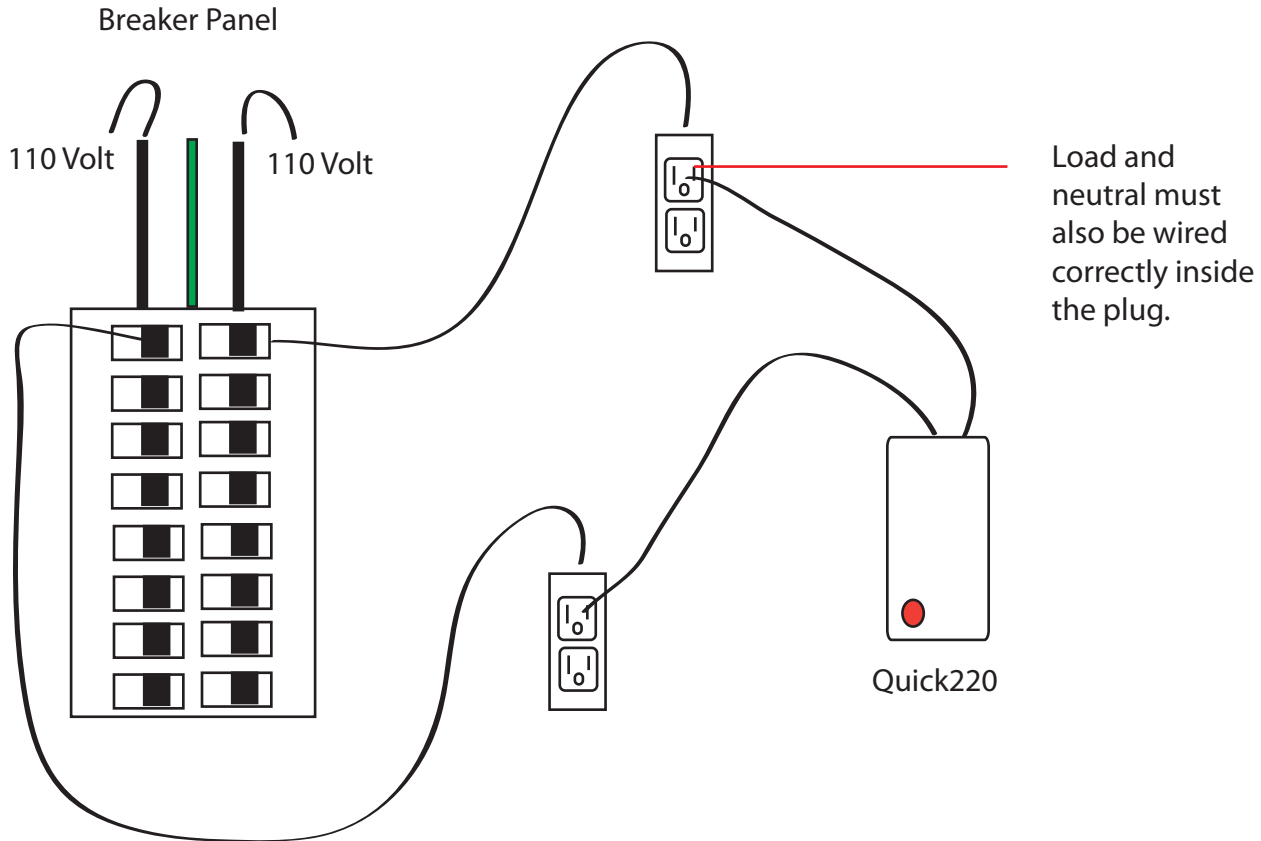




Air Duct Cleaning Vacuums



1. In order for the Quick220 to operate it must be plugged into both phases of 110 Volt power. On most homes there are 2 legs of power that enter the breaker panel. The quick 220 Splitter box will work only if you have plugged into each side of the breaker boxes panel .
2. The plug that you are plugged into must also be wired correctly, if the wall plug has been incorrectly wired then the unit will not work . You must use the included plug tester to ensure that the wall plug is wired correctly.